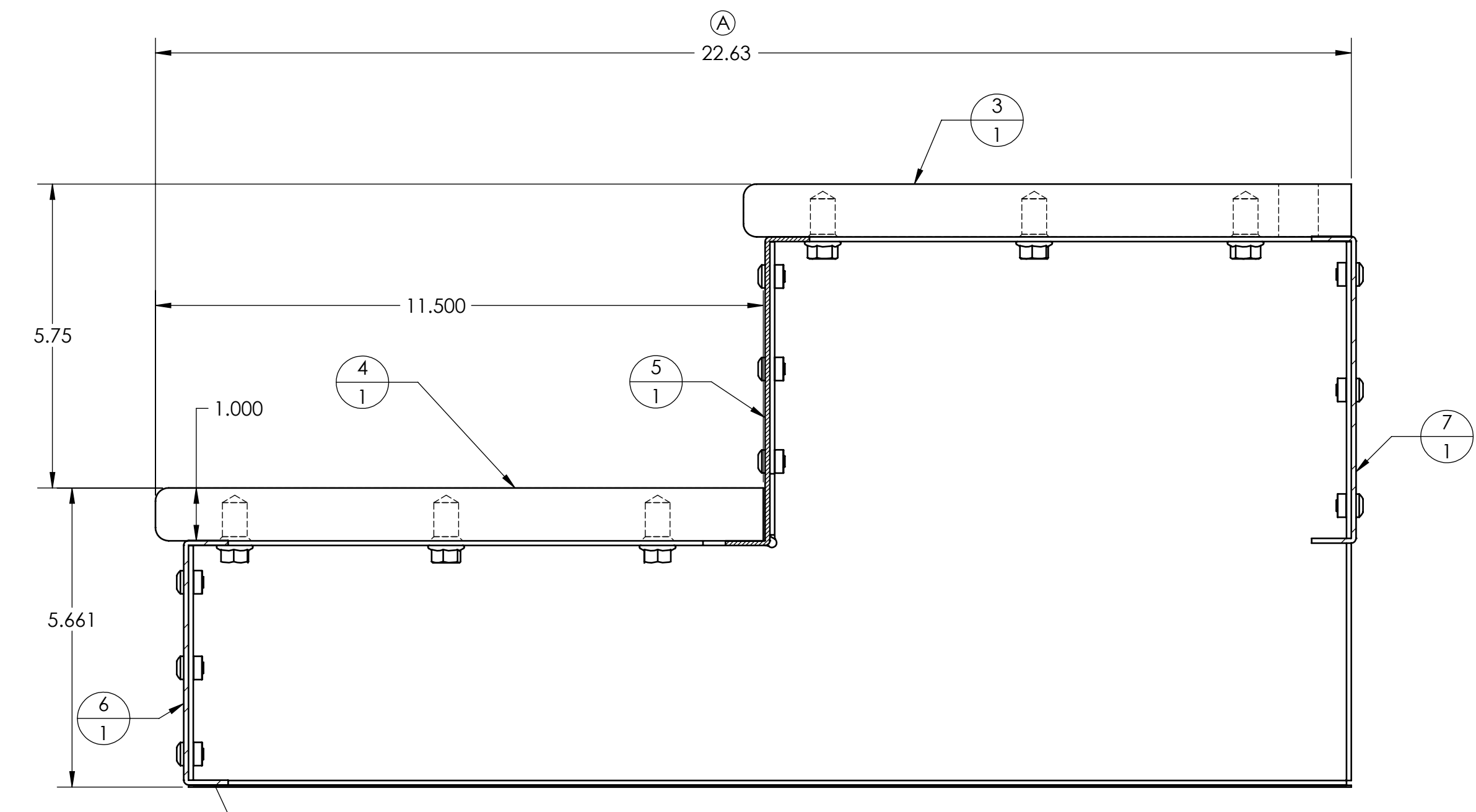
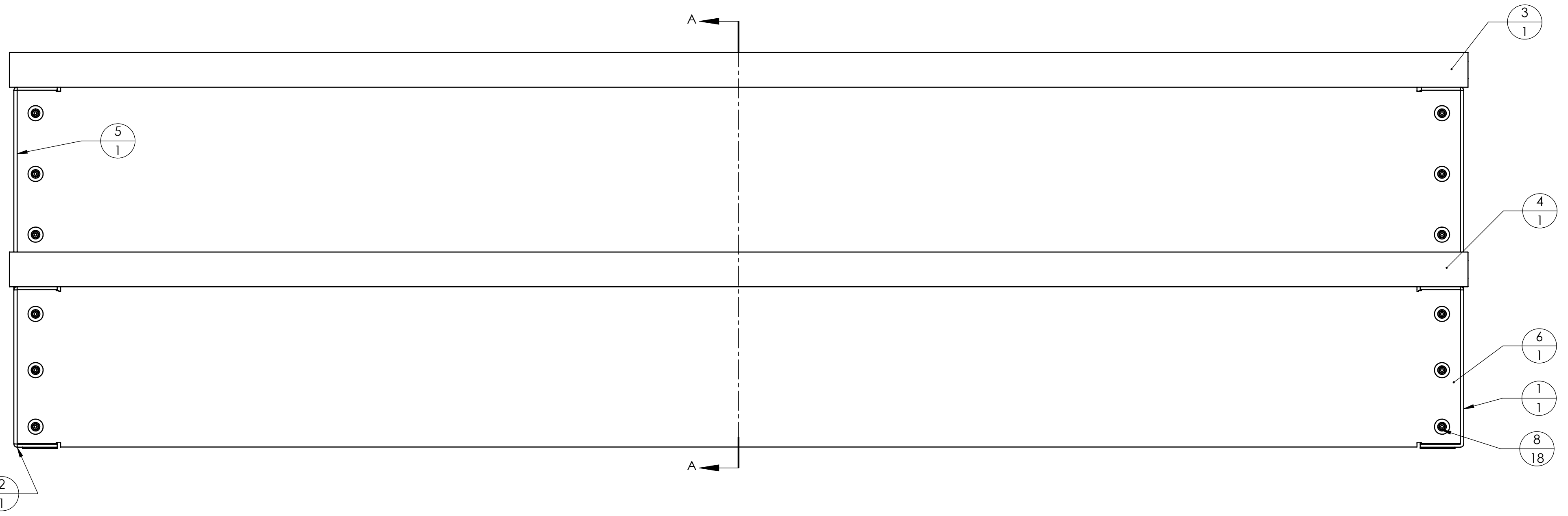
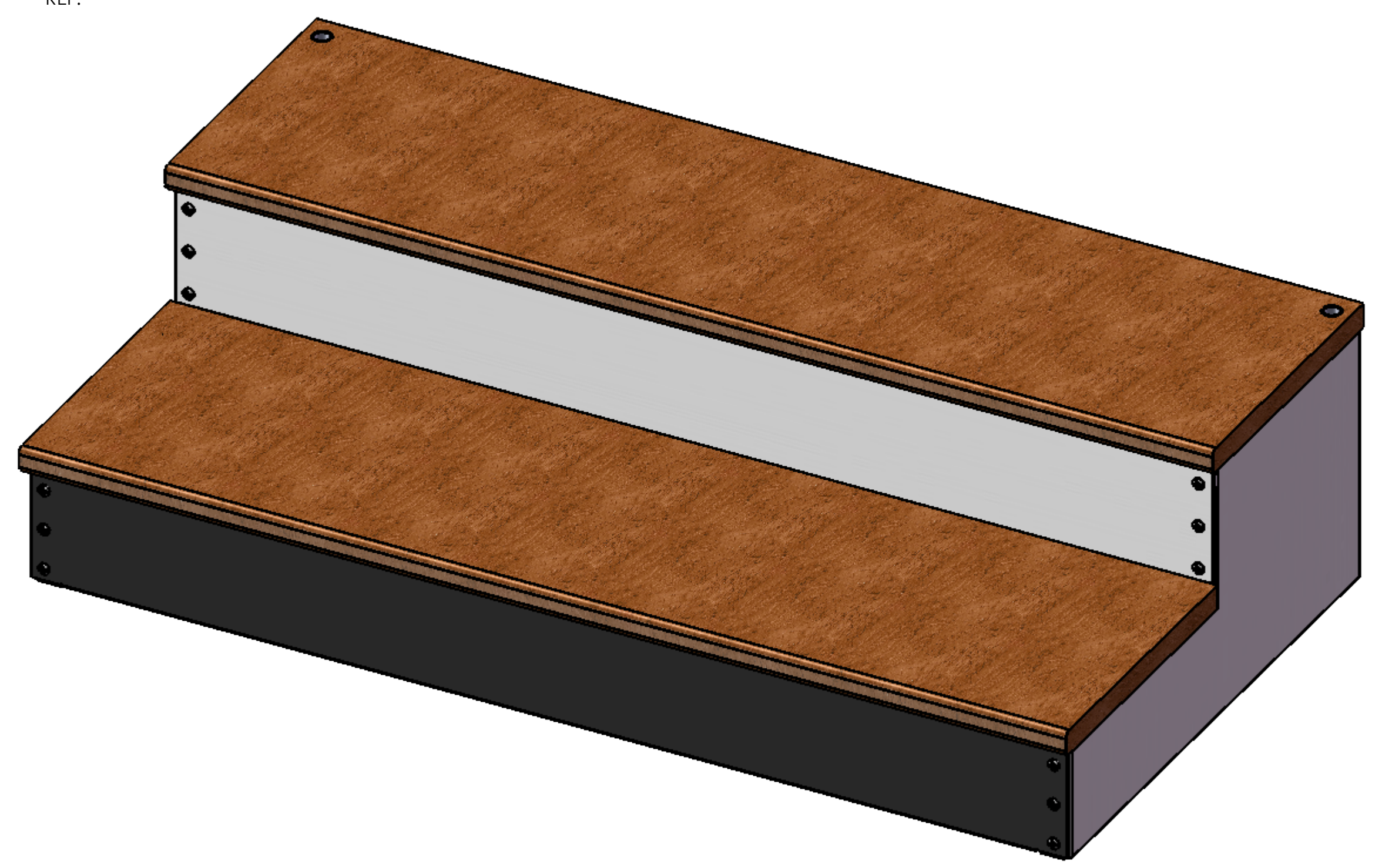


REVISIONS				
ECO	REV.	DESCRIPTION	DATE	APPROVED
	A	REPLACED SHCSs WITH FLANGED HEAD BOLTS (ITEM 9). STAIR TREADS ARE NOW 1/2" SHALLOWER. UPDATED BOM TO CURRENT VERSION.	5/24/2012	BK
NA	B	CHANGED ITEM 10 TO POLY TAPE	3/6/2018	ASW



ITEM NO.	PartNumber	Revision	Description	Manufacturer	MFG Part Number	Vendor	VendorPN	DEFAULT/ QTY.
1	66F-31453	C	RIGHT STAIR BRACKET ASSY	--	--	--	--	1
2	66F-D-31454	C	LEFT STAIR BRACKET ASSY	--	--	--	--	1
3	66F-C-31457	C	TOP TREAD ASSY	--	--	--	--	1
4	66F-C-31458	C	BOTTOM TREAD ASSY	--	--	--	--	1
5	66F-B-31455	B	SECOND RISER	AMTI	--	--	--	1
6	66F-B-31456	B	FIRST RISER	AMTI	--	--	--	1
7	66F-B-31466	B	BACK BRACKET	AMTI	--	--	--	1
8	--	--	1/4"-20x3/8" - BHCS BLACK OXIDE	--	--	MCMMASTER	91255A535	18
9	--	--	5/16"-18x3/4" - HHCS BLACK OXIDE	--	--	MCMMASTER	92316A581	12
10	--	--	POLY ADHESIVE TAPE	--	--	MCMMASTER	76445A772	2

UNLESS OTHERWISE SPECIFIED:		NAME	DATE
DIMENSIONS ARE IN INCHES		PM	8/13/09
TOLERANCES:		ENG APPR.	FJC 8/31/09
DECIMALS	ANGLES	PURCHASING:	CA 07 Mar 18
X ± .030	±1/2°	COMMENTS:	
XX ± .015	±3/4°		
XXX ± .005	±1°		
FRACTIONALS 1/32			
INTERPRET GEOMETRIC TOLERANCING PER:			
MATERIAL:			
FINISH:			
DO NOT SCALE DRAWING			

AMTI	
COMPACT	
ASSY, STAIRS	
SIZE DWG. NO.	REV
D 66F-D-31459	B
SCALE: 1:2.25	WEIGHT:
SHEET 1 OF 1	

PROPRIETARY AND CONFIDENTIAL  
THE INFORMATION CONTAINED IN THIS DRAWING IS THE SOLE PROPERTY OF AMTI. ANY REPRODUCTION IN PART OR AS A WHOLE WITHOUT THE WRITTEN PERMISSION OF AMTI IS PROHIBITED.