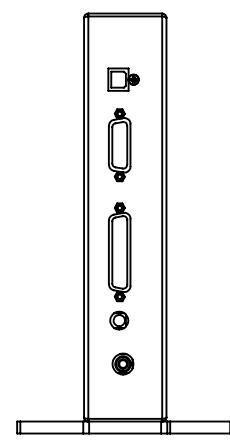


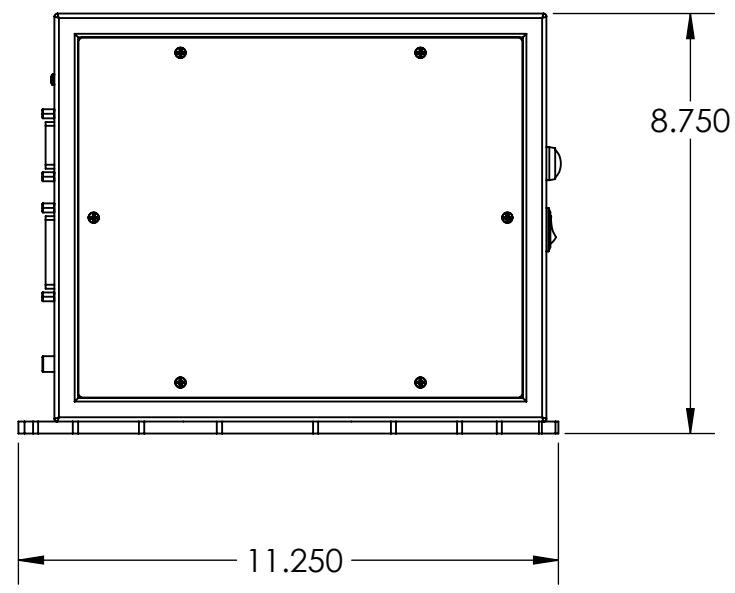
8 7 6 5 4 3 2 1

D

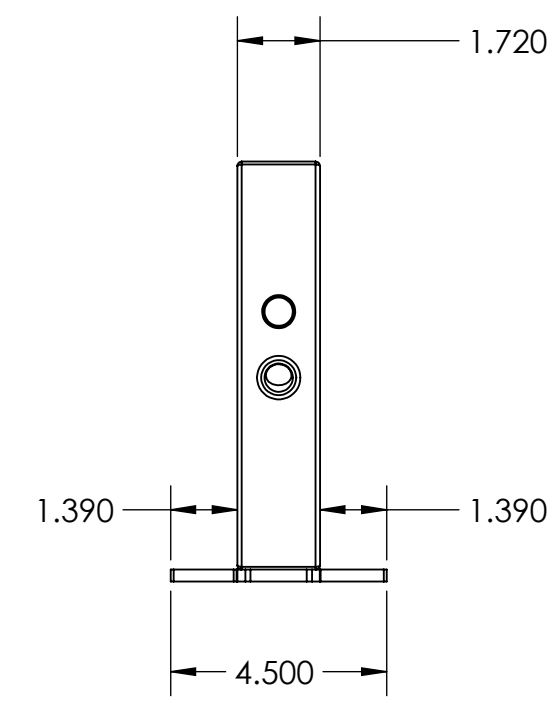
D



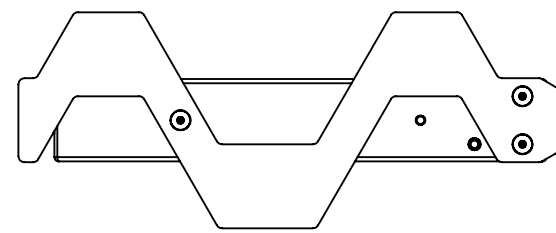
BACK VIEW



SIDE VIEW



FRONT VIEW



BOTTOM VIEW

C

C

B

B

A

A

PROPRIETARY AND CONFIDENTIAL
 THE INFORMATION CONTAINED IN THIS
 DRAWING IS THE SOLE PROPERTY OF
 AMTI. ANY REPRODUCTION IN PART OR
 AS A WHOLE WITHOUT THE WRITTEN
 PERMISSION OF AMTI IS PROHIBITED.

AMTI			
TITLE: OPT-SC WITH Z-FOOT, DIMENSIONAL OUTLINE			
SIZE			A
B			
SCALE: 1:4	WEIGHT:	SHEET 1 OF 1	

8 7 6 5 4 3 2 1