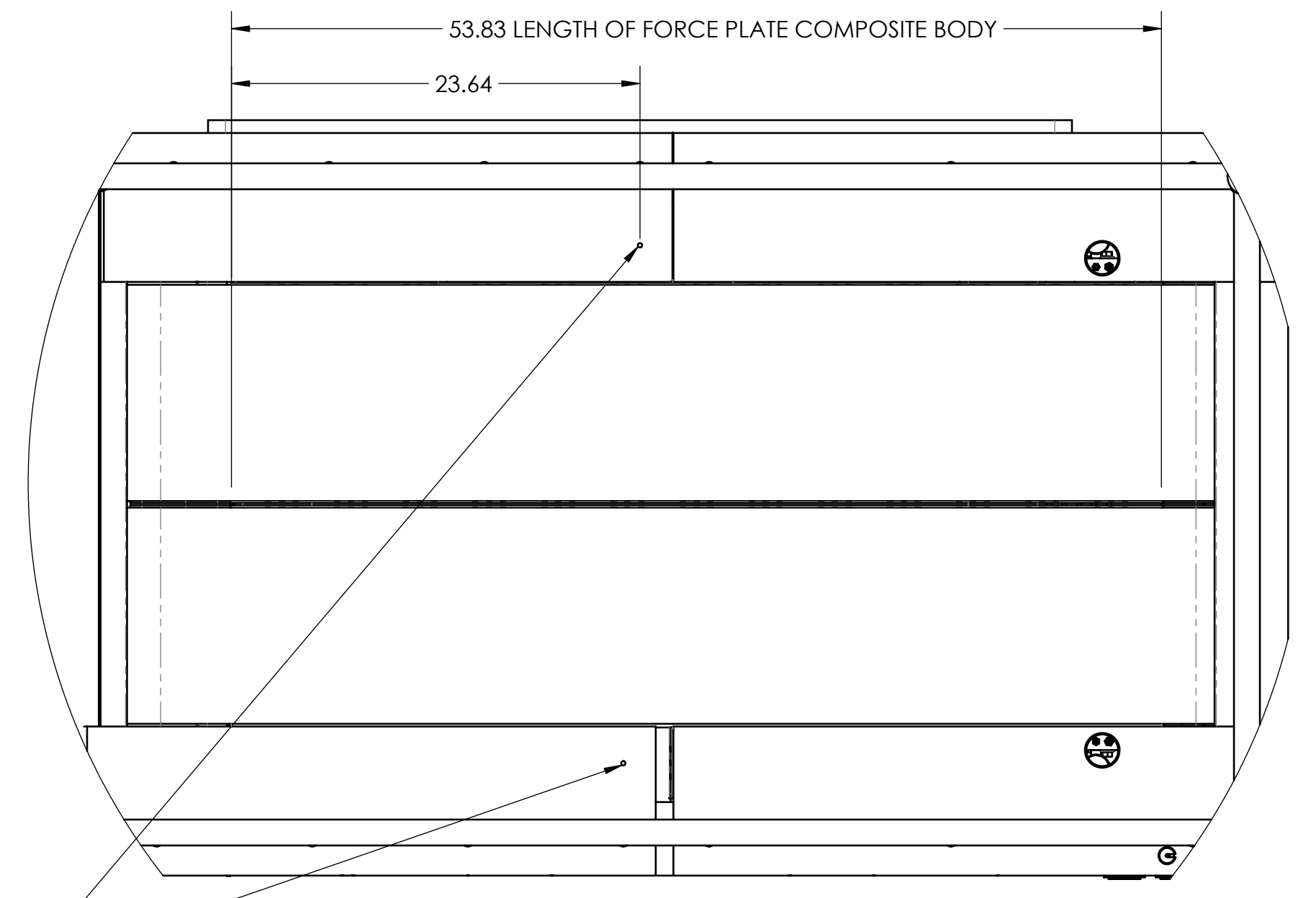
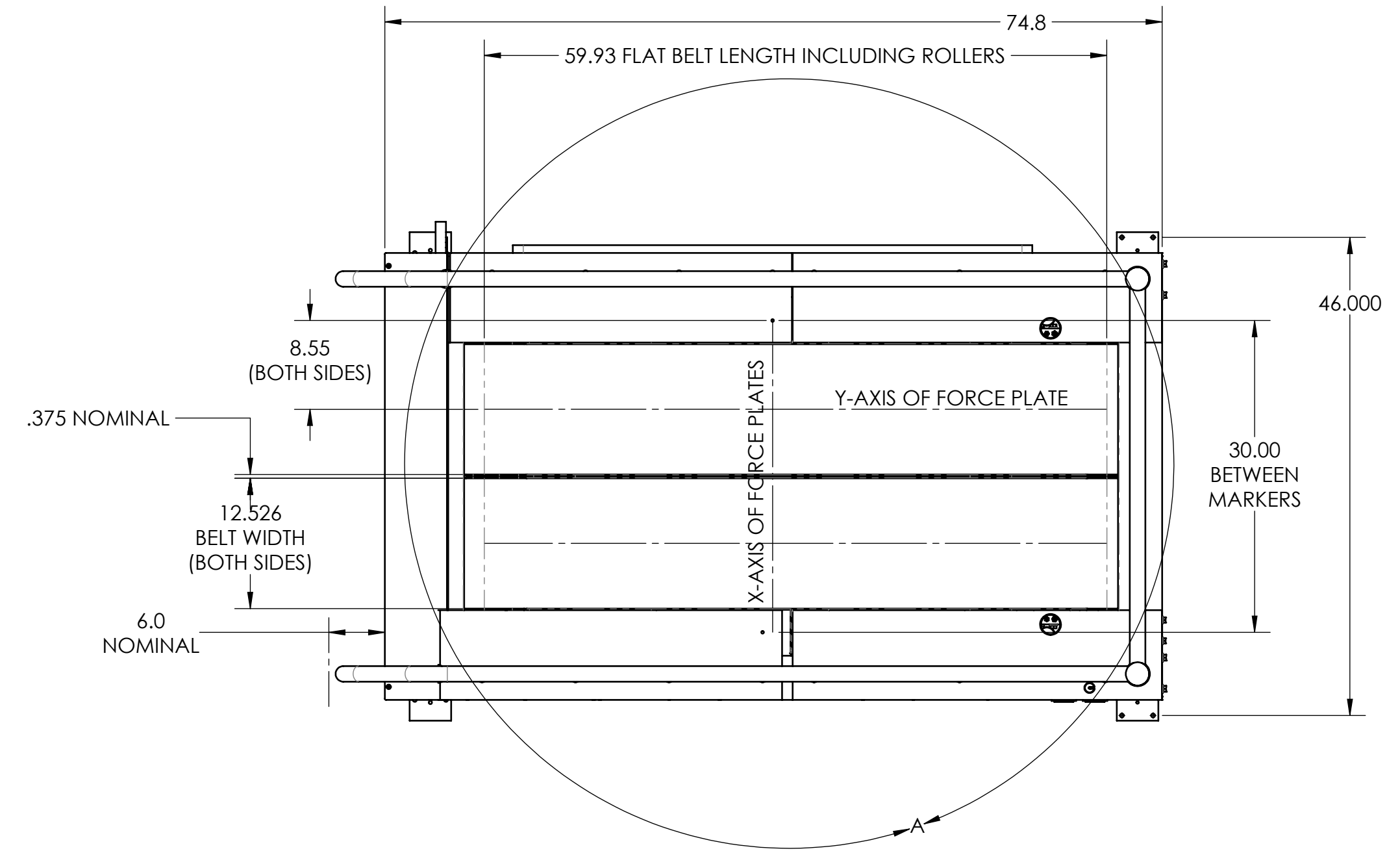
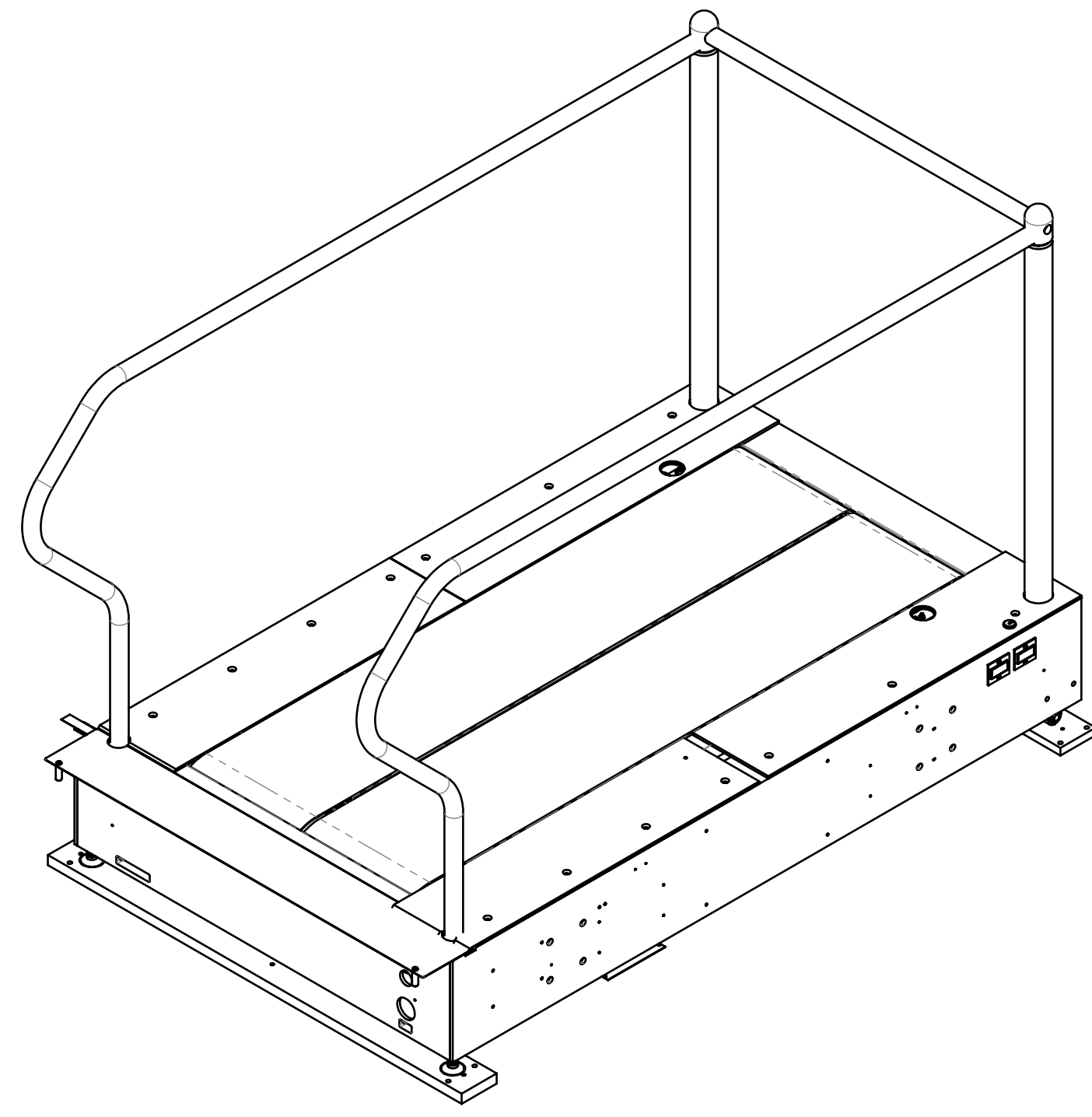
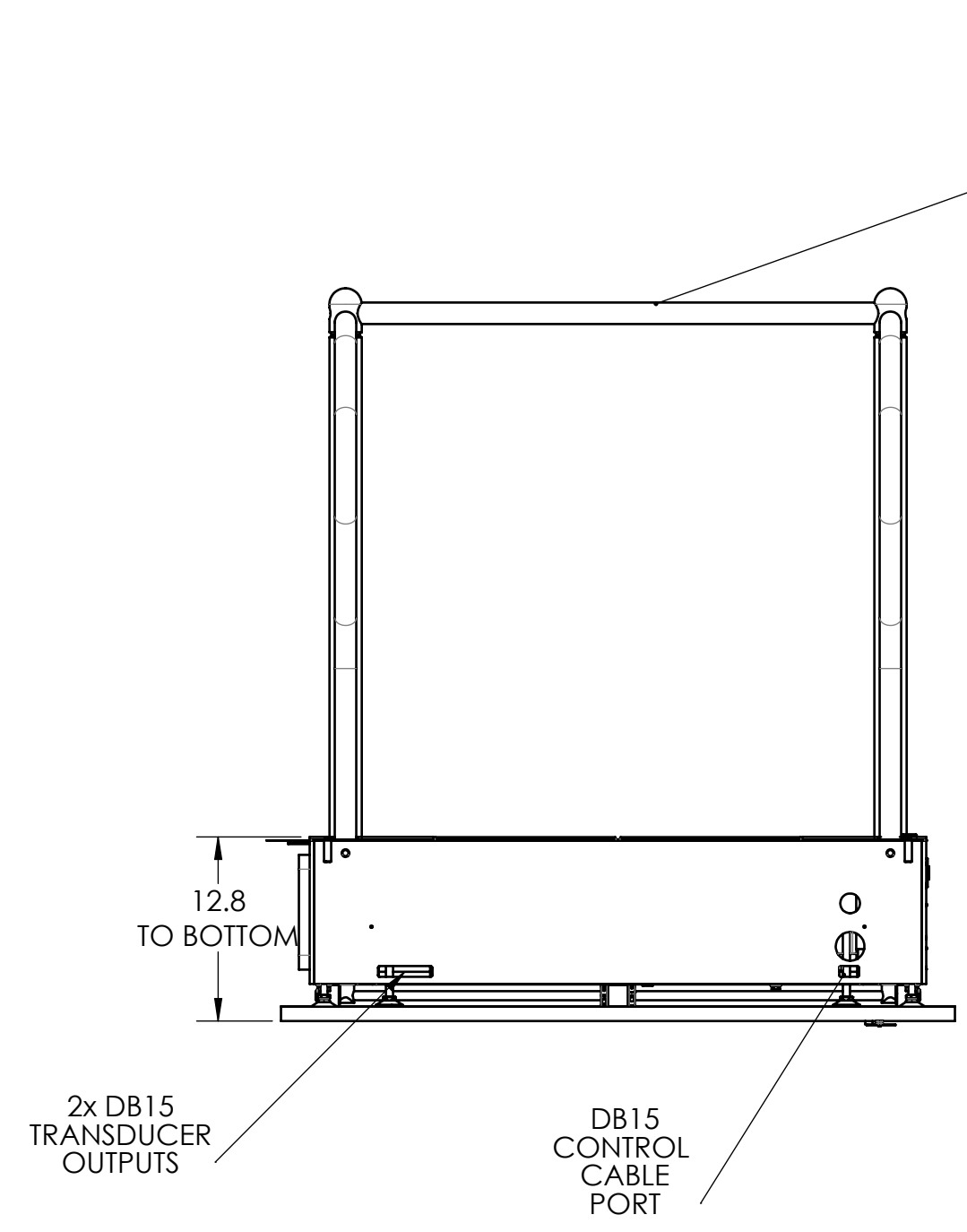


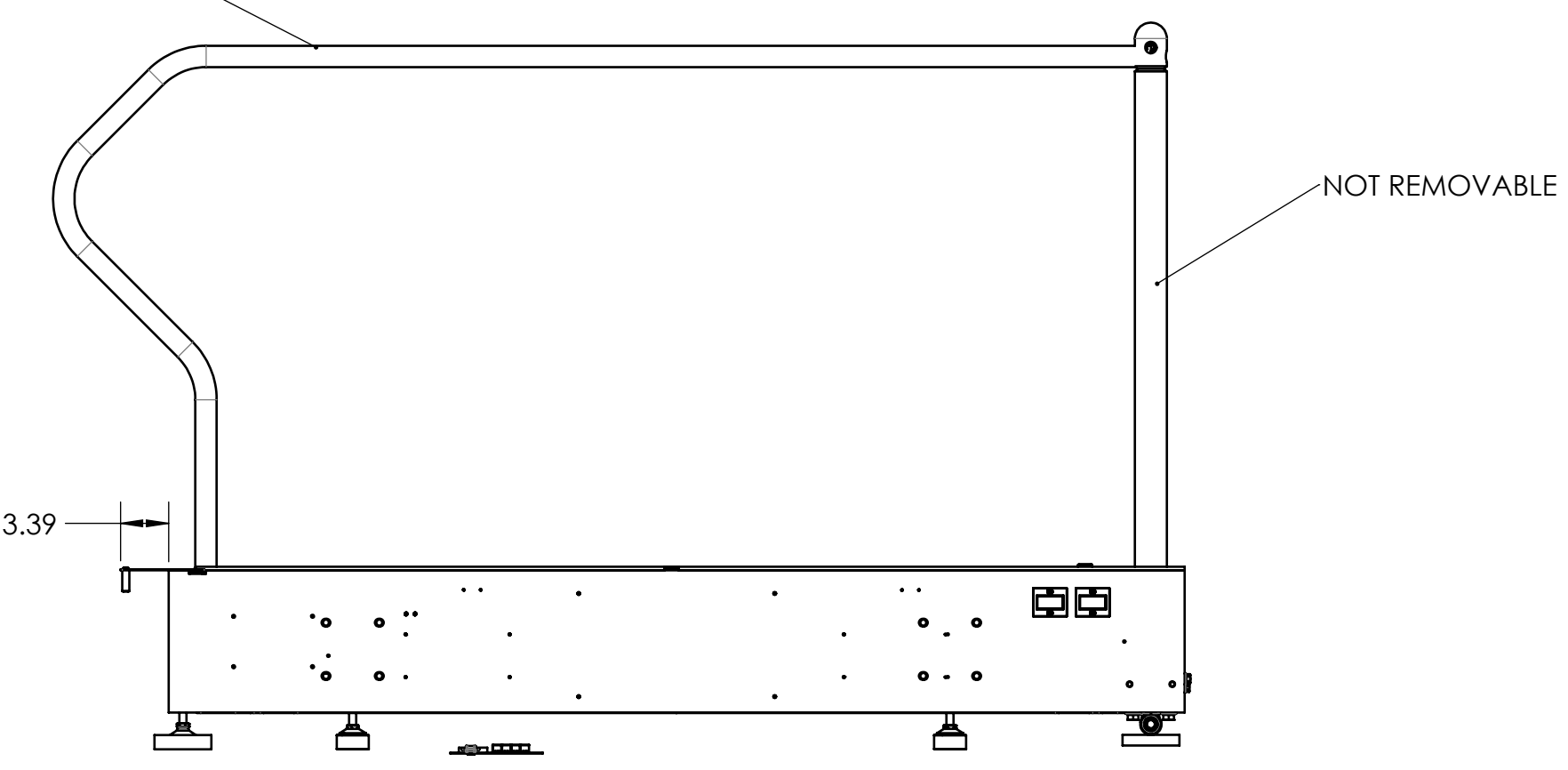
REVISIONS		DATE	APPROVED
ECO	REV.	DESCRIPTION	



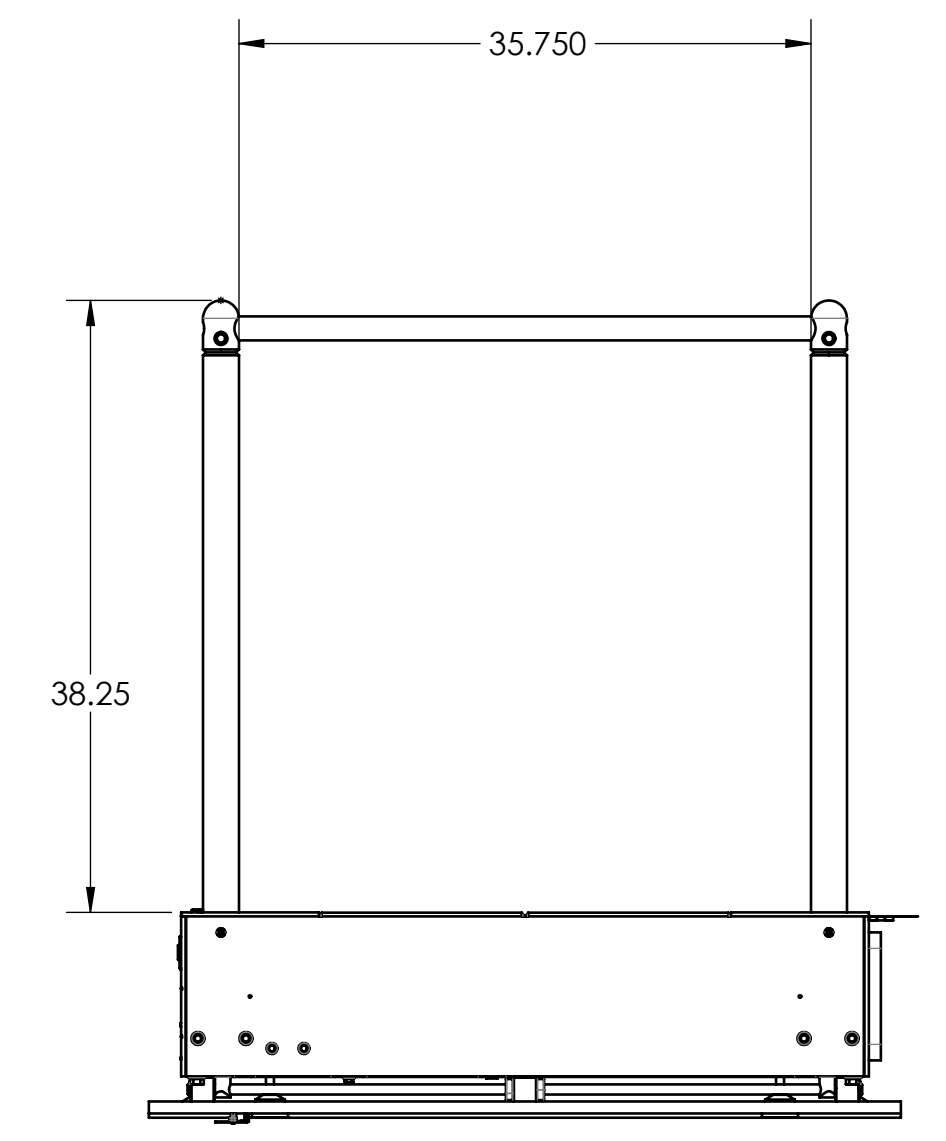
MARKER LOCATIONS
DETAIL A
SCALE 1 : 8



REMOVABLE HAND RAIL



NOT REMOVABLE



PROPRIETARY AND CONFIDENTIAL
THE INFORMATION CONTAINED IN THIS DRAWING IS THE SOLE PROPERTY OF AMTI. ANY REPRODUCTION IN PART OR AS A WHOLE WITHOUT THE WRITTEN PERMISSION OF AMTI IS PROHIBITED.

UNLESS OTHERWISE SPECIFIED:			NAME	DATE
DIMENSIONS ARE IN INCHES			CG	11/1/12
TOLERANCES:	DECIMALS	ANGLES	SURFACE FINISH	
	X 2 .030	±1/2°	CLH	11/5/12
	XXX ± .015		CA	12 Dec 17
	XXX ± .005		COMMENTS:	
FRACTIONAL 1/32				
INTERPRET GEOMETRIC TOLERANCING PER:				
MATERIAL:				
FINISH:				
DO NOT SCALE DRAWING				

AMTI SIDE BY SIDE TOP LEVEL ASSY DBSSWI		SIZE	DWG. NO.	REV
		D	67A-36281	A
SCALE: 1:12	WEIGHT:	SHEET 1 OF 1		