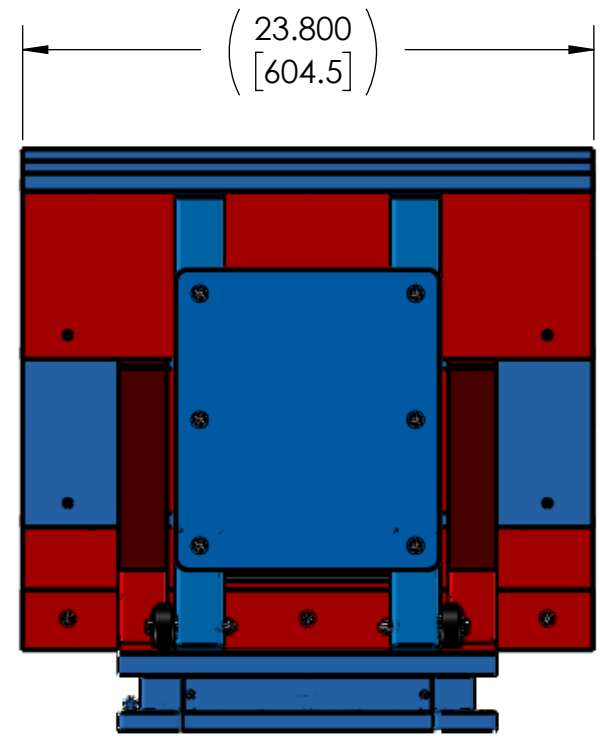
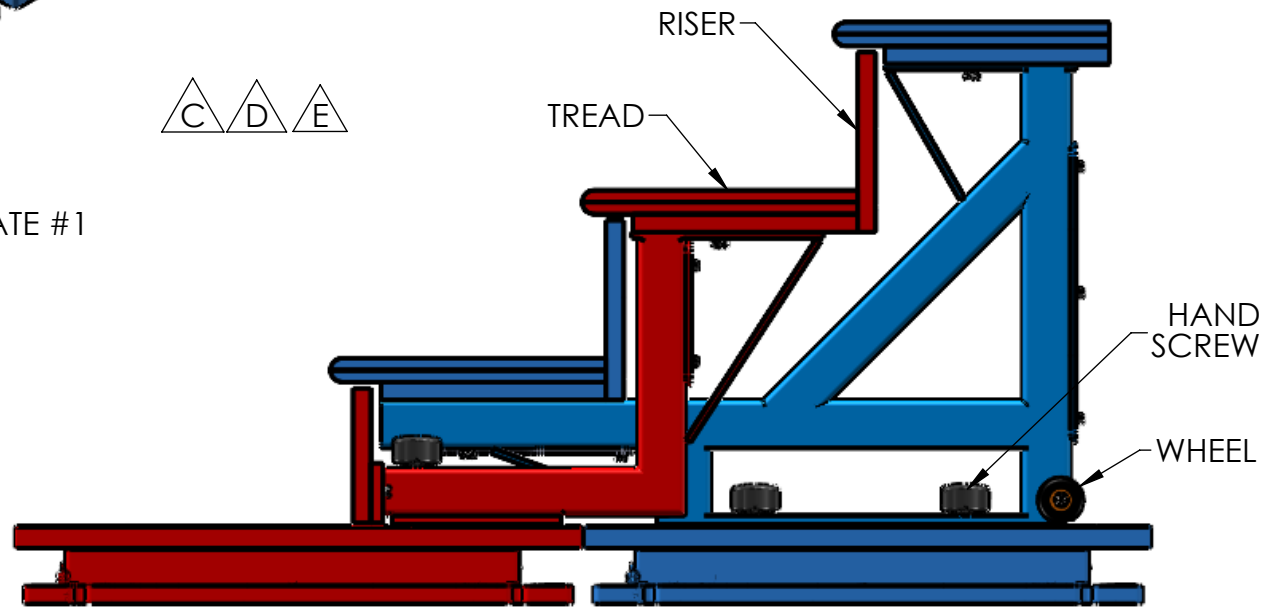
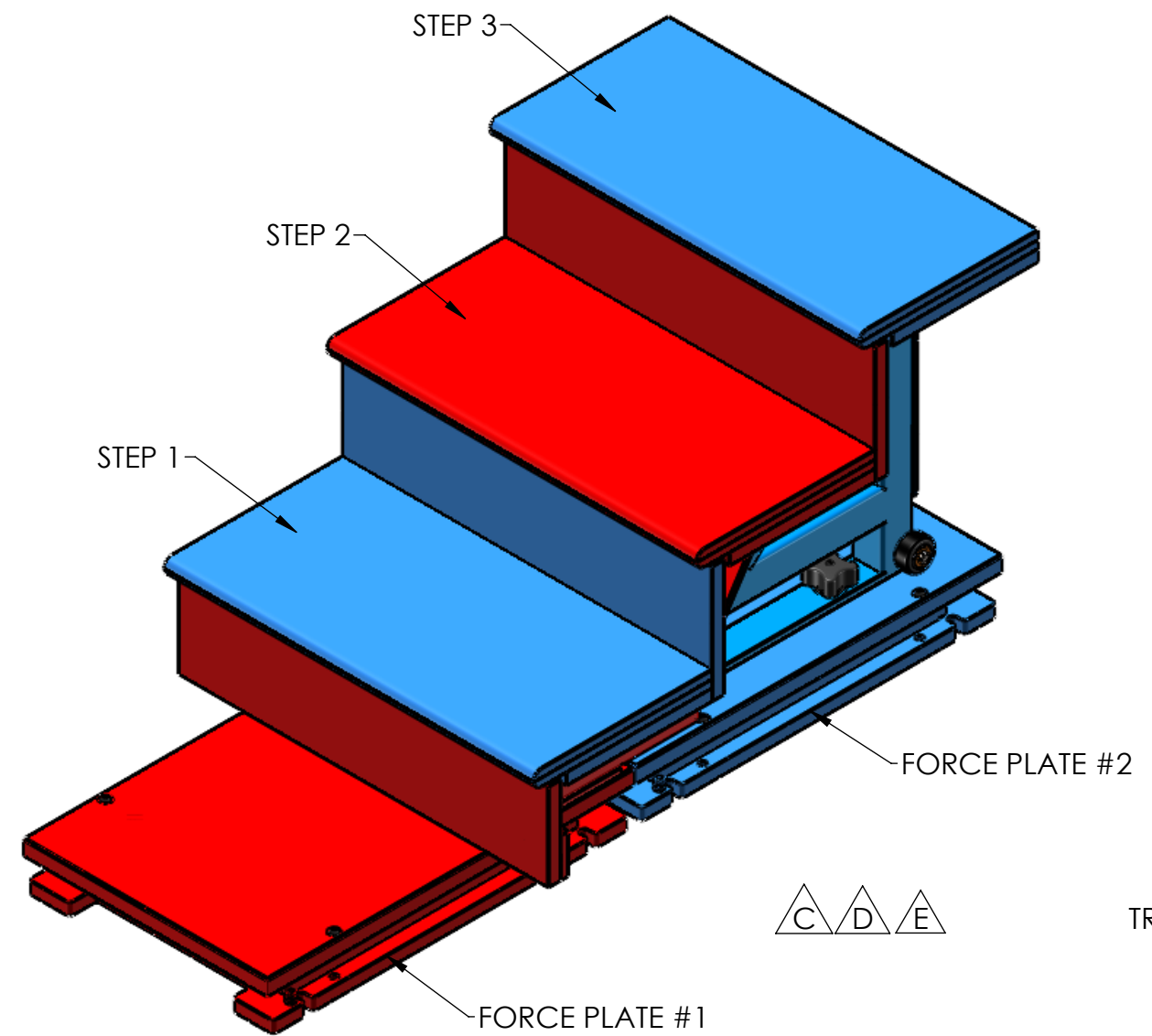


REVISIONS				
ECO	REV.	DESCRIPTION	DATE	APPROVED
10771	A	ADDED WIDTH DIM & CLEANED UP DRAWING	05AUG2016	DRK
10794	B	ADDED TT-TOPS & PLATFORM ASSMS	06OCT2016	DRK
30401	C	UPDATED PLATFORM ASSYS	19FEB26	JTH
30411	D	FLIPPED FP1/FP2 LABELS	10APR26	JTH
30416	E	REVERTED REV D	08JUN26	JTH

FPSTAIRS

DESCRIPTION
 FPSTAIRS CONSIST OF 2 SEPARATE BUT INTERLACED STAIR STRUCTURES. THEY ARE SHIPPED PRE-ASSEMBLED AND INTERLACED, AND MUST BE MOVED TOGETHER. WHEELS AT THE REAR END OF 2ND STAIR STRUCTURE ARE INTENDED TO AID IN MOVING AND POSITIONING THE STAIRS.

INSTALLATION
 EACH STAIR STRUCTURE IS MOUNTED TO ITS OWN FORCE PLATE. TO COMPLETE FPSTAIRS INSTALLATION POSITION EACH STAIR STRUCTURE SO THAT THE HAND SCREWS ARE OVER THE HOLES IN THE FORCE PLATES AND LIGHTLY TIGHTEN. ALIGN SIDES FACES OF STAIR TREADS AND ADJUST THE POSITION OF THE 2 STRUCTURES SO THAT THE GAPS BETWEEN STAIR RISERS AND ADJACENT STAIR TREADS ARE COMPARABLE. TIGHTEN THE HAND SCREWS.



STEP 1 REGISTERS ON FORCE PLATE 2
 STEP 2 REGISTERS ON FORCE PLATE 1
 STEP 3 REGISTERS ON FORCE PLATE 2



UNLESS OTHERWISE SPECIFIED:

DIMENSIONS ARE IN INCHES		
TOLERANCES:		
DECIMALS	ANGLES	SURFACE FINISH
.X ± .030	±1/2°	63
.XX ± .015		
.XXX ± .005		
FRACTIONAL ± 1/32		
INTERPRET GEOMETRIC TOLERANCING PER: ANSI Y14.5 2009		
MATERIAL:	--	
FINISH:	--	
DO NOT SCALE DRAWING		

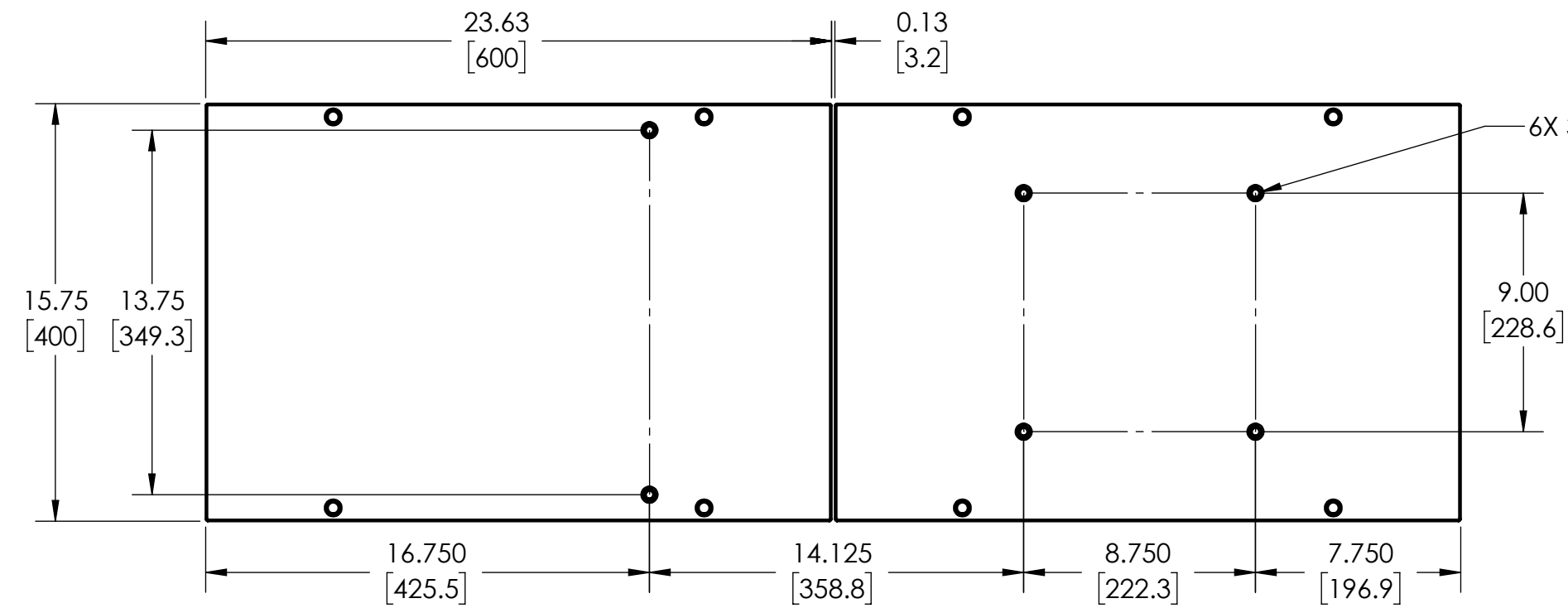
NAME	DATE
CLH	10/02/13
ENG APPR.	CLH 10/02/13
PURCHASING:	
COMMENTS:	

AMTI		
TITLE: FPSTAIRS/RESEARCH		
400600 ASSEMBLY		
SIZE	DWG. NO.	REV
B	24N-34963	E
SCALE: 3:1		WEIGHT:
		SHEET 1 OF 2

PROPRIETARY AND CONFIDENTIAL
 THE INFORMATION CONTAINED IN THIS DRAWING IS THE SOLE PROPERTY OF AMTI. ANY REPRODUCTION IN PART OR AS A WHOLE WITHOUT THE WRITTEN PERMISSION OF AMTI IS PROHIBITED.

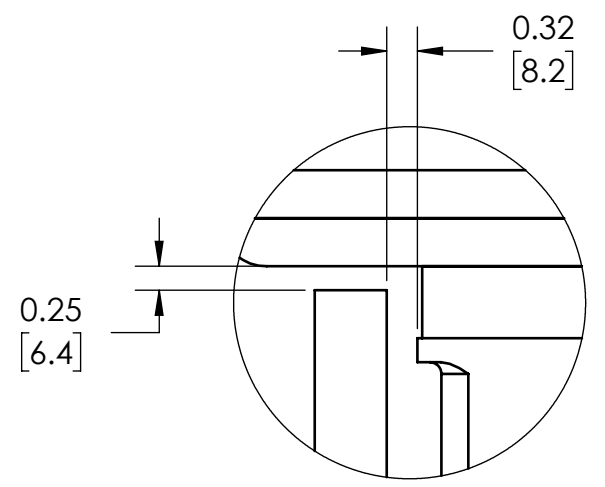
PRINTED COPIES ARE NOT CONTROLLED UNLESS MARKED: INITIALS

REVISIONS				
ECO	REV.	DESCRIPTION	DATE	APPROVED
--	A	SEE PAGE 1	--	--

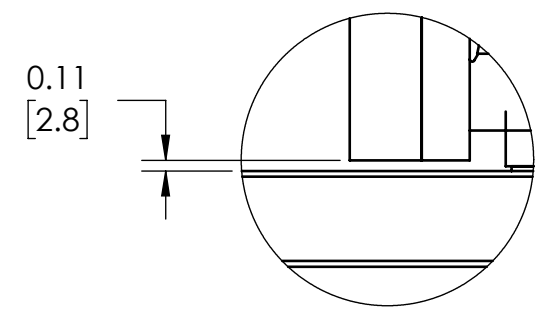
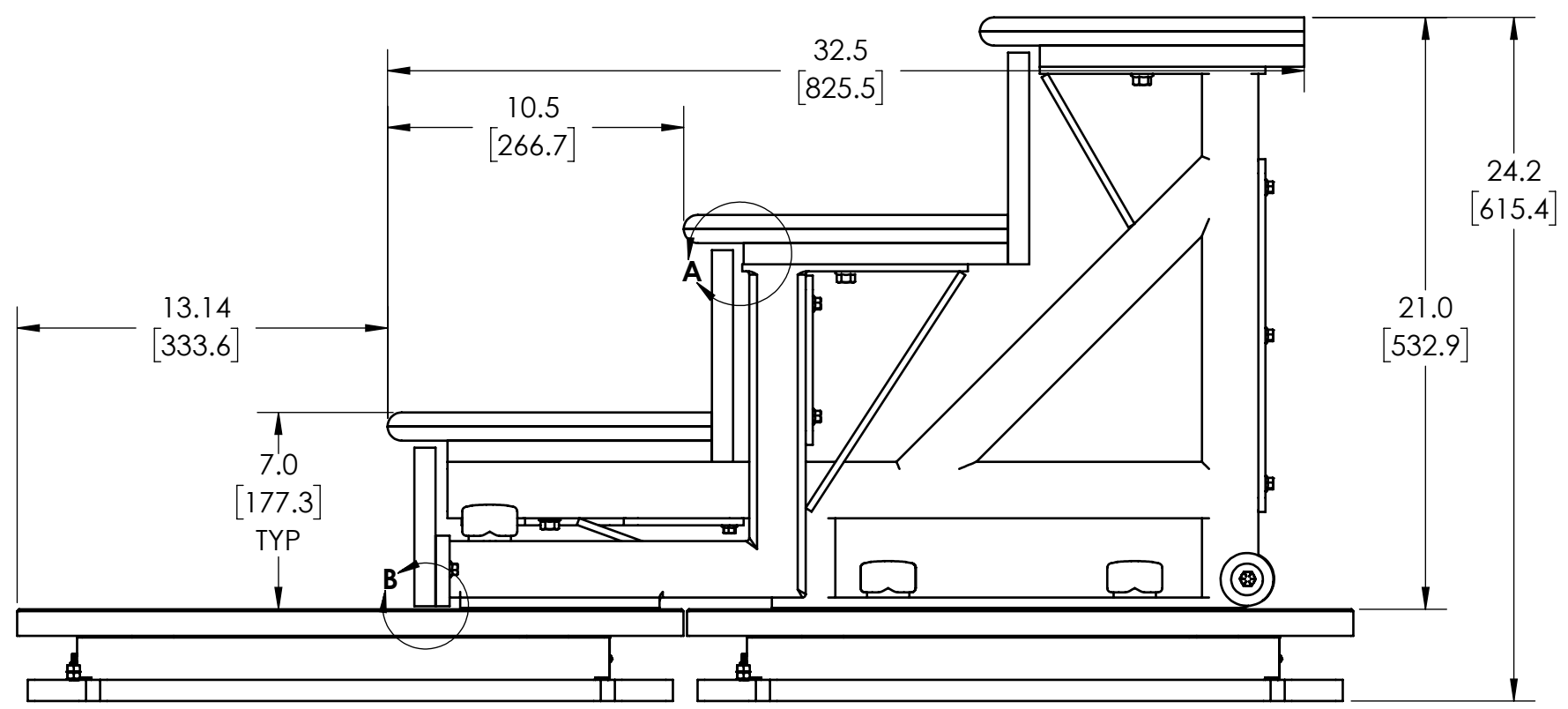


**TOP OF PLATES
(STAIRS REMOVED)**

6X 3/8-16 THREADED INSERT



DETAIL A



DETAIL B

PROPRIETARY AND CONFIDENTIAL
THE INFORMATION CONTAINED IN THIS DRAWING IS THE SOLE PROPERTY OF AMTI. ANY REPRODUCTION IN PART OR AS A WHOLE WITHOUT THE WRITTEN PERMISSION OF AMTI IS PROHIBITED.

AMTI		
TITLE: FPSTAIRS/RESEARCH		
400600 ASSEMBLY		
SIZE: B	DWG. NO.: 24N-34963	REV: E
SCALE: 3:1 & WEIGHT:		SHEET 2 OF 2

PRINTED COPIES ARE NOT CONTROLLED UNLESS MARKED: INITIALS _____