

REVISIONS				
ECO	REV.	DESCRIPTION	DATE	APPROVED
10794	A	ADDED TT-TOPS AND PLATFORM ASSMS	06OCT2016	DRK
30401	B	UPDATED PLATFORM ASSYS	19FEB26	JTH
30411	C	FLIPPED FP1/FP2 LABELS	10APR26	JTH
30416	D	REVERTED REV C	08JUN26	JTH

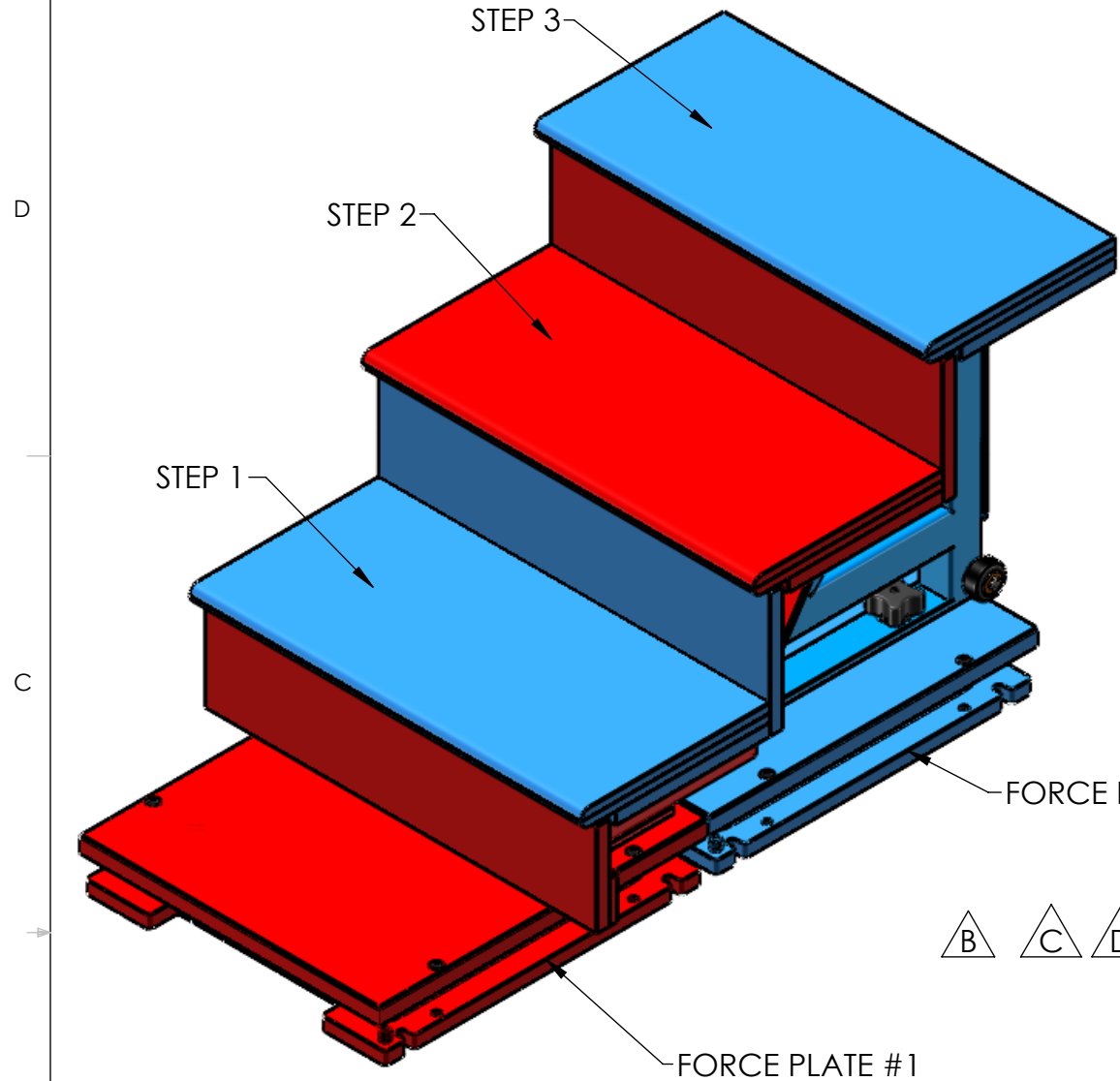
FPSTAIRS

DESCRIPTION

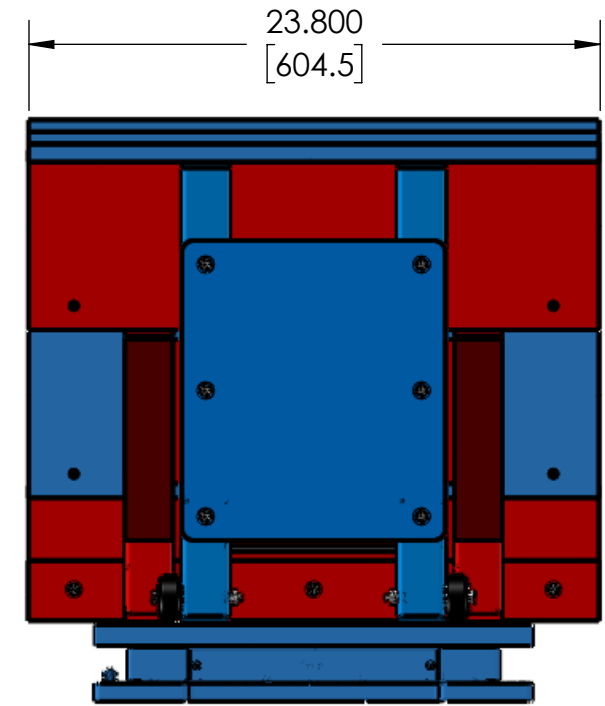
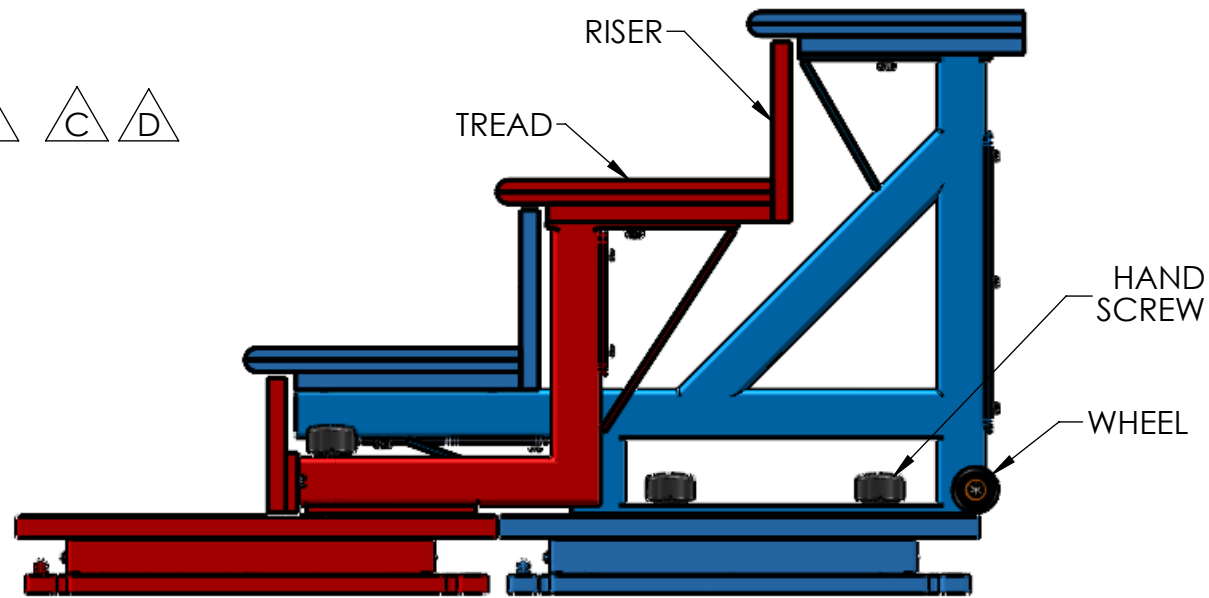
FPSTAIRS CONSIST OF 2 SEPARATE BUT INTERLACED STAIR STRUCTURES. THEY ARE SHIPPED PRE-ASSEMBLED AND INTERLACED, AND MUST BE MOVED TOGETHER. WHEELS AT THE REAR END OF 2ND STAIR STRUCTURE ARE INTENDED TO AID IN MOVING AND POSITIONING THE STAIRS.

INSTALLATION

EACH STAIR STRUCTURE IS MOUNTED TO ITS OWN FORCE PLATE. TO COMPLETE FPSTAIRS INSTALLATION POSITION EACH STAIR STRUCTURE SO THAT THE HAND SCREWS ARE OVER THE HOLES IN THE FORCE PLATES AND LIGHTLY TIGHTEN. ALIGN SIDES FACES OF STAIR TREADS AND ADJUST THE POSITION OF THE 2 STRUCTURES SO THAT THE GAPS BETWEEN STAIR RISERS AND ADJACENT STAIR TREADS ARE COMPARABLE. TIGHTEN THE HAND SCREWS.



△ B △ C △ D



STEP 1 REGISTERS ON FORCE PLATE 2
 STEP 2 REGISTERS ON FORCE PLATE 1
 STEP 3 REGISTERS ON FORCE PLATE 2

△ C △ D

PROPRIETARY AND CONFIDENTIAL
 THE INFORMATION CONTAINED IN THIS DRAWING IS THE SOLE PROPERTY OF AMTI. ANY REPRODUCTION IN PART OR AS A WHOLE WITHOUT THE WRITTEN PERMISSION OF AMTI IS PROHIBITED.

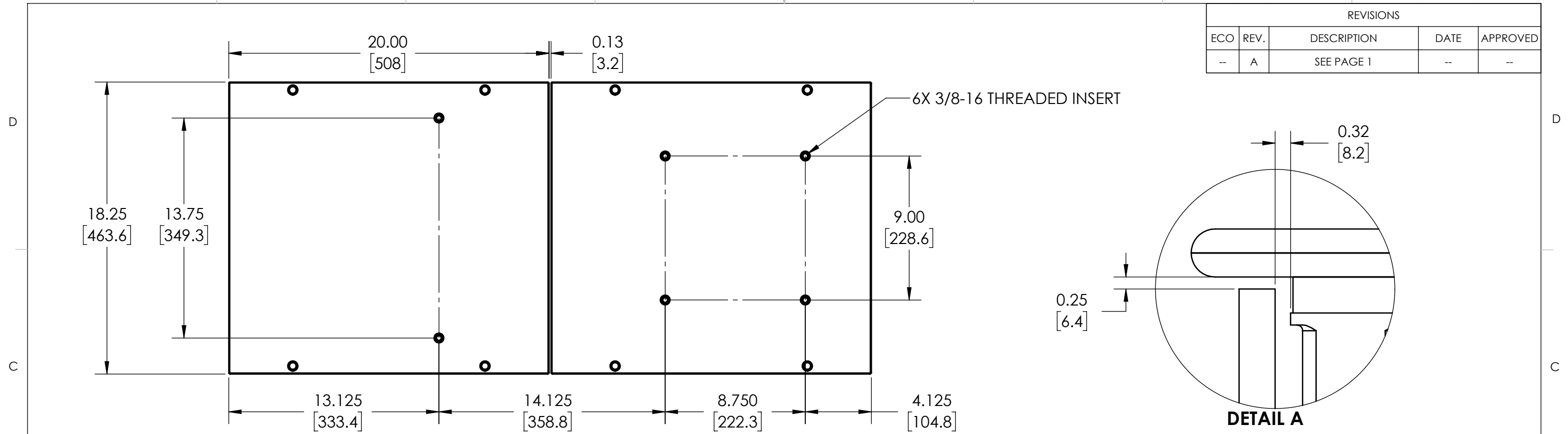
UNLESS OTHERWISE SPECIFIED:		NAME	DATE		
DIMENSIONS ARE IN INCHES		DRAWN	CLH		9/27/13
TOLERANCES:		ENG APPR.	CLH		10/02/13
DECIMALS .X ± .030 .XX ± .015 .XXX ± .005 ANGLES ± 1/2° SURFACE FINISH 63 FRACTIONAL ± 1/32		PURCHASING:			
INTERPRET GEOMETRIC TOLERANCING PER: ANSI Y14.5 2009		COMMENTS:		TITLE: FPSTAIRS/RESEARCH	
MATERIAL: --				464508 ASSEMBLY	
FINISH: --				SIZE DWG. NO. REV	
DO NOT SCALE DRAWING				B 24N-34962 D	
		SCALE: 3:1 WEIGHT:		SHEET 1 OF 2	

UNDER REVIEW

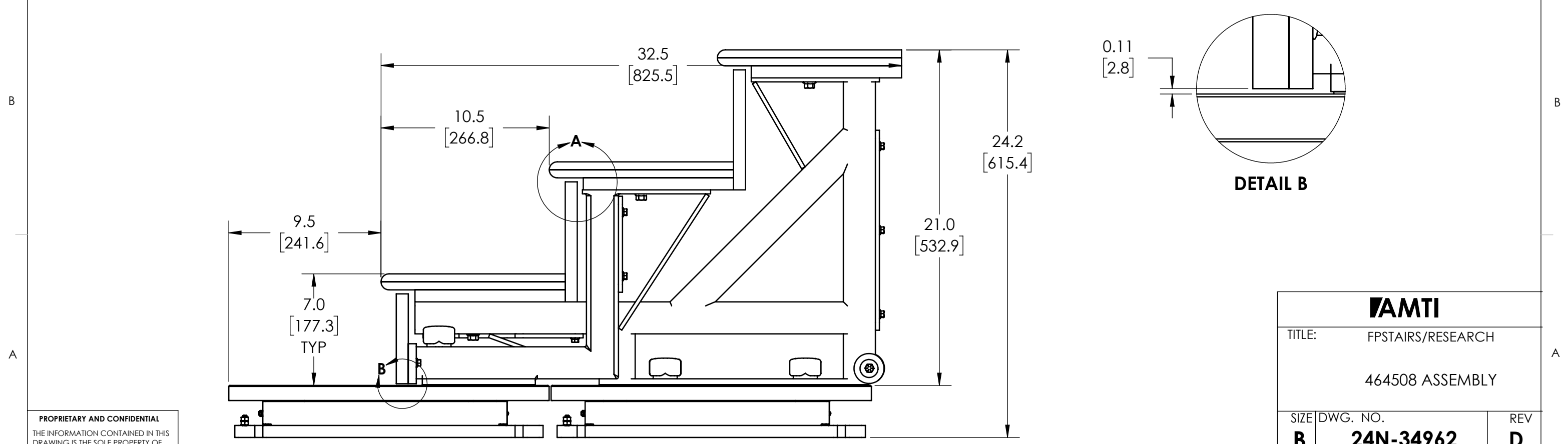
PRINTED COPIES ARE NOT CONTROLLED UNLESS MARKED: INITIALS _____

8 7 6 5 4 3 2 1

REVISIONS				
ECO	REV.	DESCRIPTION	DATE	APPROVED
--	A	SEE PAGE 1	--	--



**TOP OF PLATES
(STAIRS REMOVED)**



PROPRIETARY AND CONFIDENTIAL
 THE INFORMATION CONTAINED IN THIS DRAWING IS THE SOLE PROPERTY OF AMTI. ANY REPRODUCTION IN PART OR AS A WHOLE WITHOUT THE WRITTEN PERMISSION OF AMTI IS PROHIBITED.

AMTI		
TITLE: FPSTAIRS/RESEARCH		
464508 ASSEMBLY		
SIZE B	DWG. NO. 24N-34962	REV D
SCALE: 3:1 & WEIGHT:		SHEET 2 OF 2

8 7 6 5 4 3 2 1

PRINTED COPIES ARE NOT CONTROLLED UNLESS MARKED: INITIALS _____